

EKO INSTALLATION IN-CABINET BIN

35L

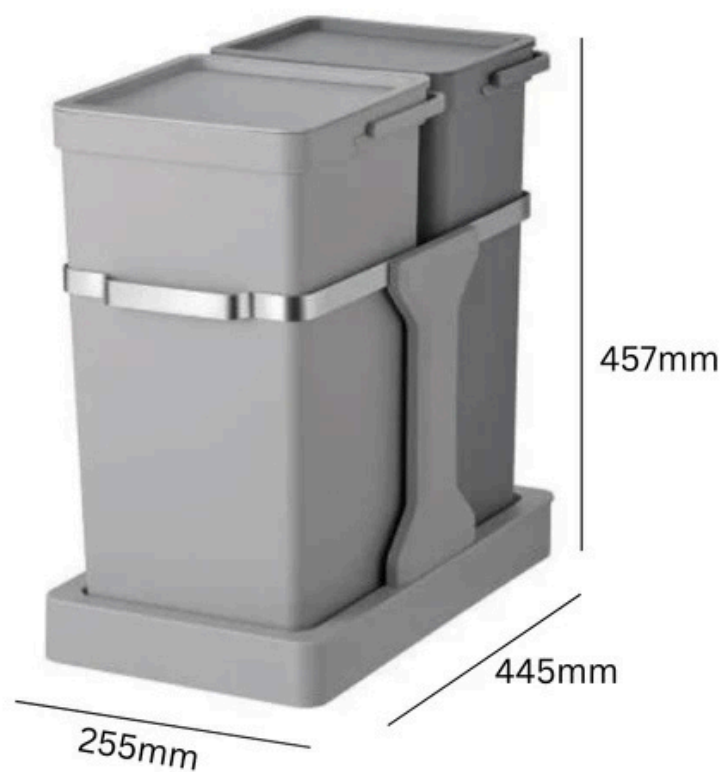
35L
Capacity

One x 20L & One x 15L

Steel frame with plastic bins



TECHNICAL SPECIFICATIONS



EKO INSTALLATION IN-CABINET BIN

35L

FEATURES

- Eko Installation in cupboard bin is manufactured using robust materials with a steel construction frame to allow secure fastening to the cupboard.
- The bins are on a ball bearing system to allow easy pulling out from inside the cupboard with the small integrated handle.

SPECIFICATIONS

- Steel frame with plastic bins.
- A combined capacity of 35 litres.
- Movable on ball bearing system.

